



Scan for full manual

## EXT3-POE-XR-R Quick Start Guide

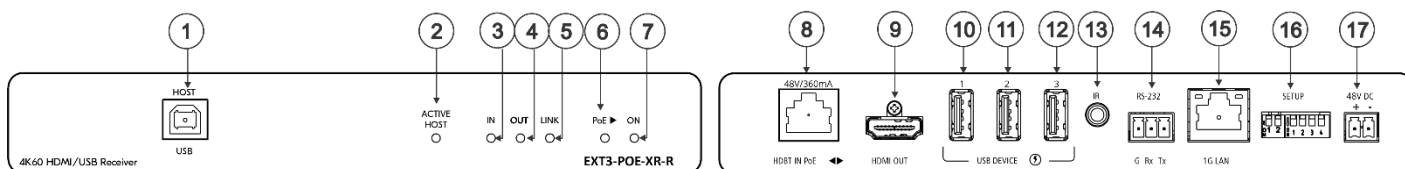
This guide helps you install and use your EXT3-POE-XR-R for the first time.

Go to [www.kramerav.com/downloads/EXT3-POE-XR-R](http://www.kramerav.com/downloads/EXT3-POE-XR-R) to download the latest user manual and check if firmware upgrades are available.

### Step 1: Check what's in the box

- ✔ EXT3-POE-XR-R 4K HDMI/USB Receiver
- ✔ 1 Bracket set
- ✔ 1 Quick start guide
- ✔ 1 Power adapter and cord
- ✔ 4 Rubber feet

### Step 2: Get to know your EXT3-POE-XR-R

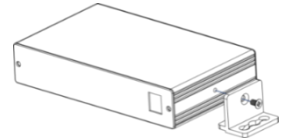


#	Feature	Function
1	HOST USB B 2.0 Connector	When the device DIP-switch is set to active host as defined in <a href="#">Step 4: Connect inputs and outputs</a> , connect a USB host (for example, a room PC) to communicate with the USB peripheral devices (for example, a smart board) connected to USB device ports on this device or the connected remote device. Note that an active host can be set only one device, either the transmitter or the receiver, not both.
2	ACTIVE HOST LED	Lights orange when the USB host side is active.
3	IN LED	Lights blue when an active HDMI input signal is detected on HDMI IN.
4	OUT LED	Lights blue when an output acceptor device is connected.
5	LINK LED	Lights green when the HDBT active link connection is established.
6	PoE LED	Lights green when power-providing over HDBT is active.
7	ON LED	Lights green when the device receives power.
8	HDBT IN PoE	Connect to the HDBT connector on a paired PoE-accepting transmitter device (for example, a EXT3-C-XR-T device).
9	HDMI OUT	Connect to an HDMI acceptor.
10	USB A 2.0 Charging Connector 1	Connect to the USB local peripheral devices (for example, a USB PTZ camera). When the USB Host PC is disconnected, the USB signal and charging power for this port are inactive.
11	USB A 2.0 Charging Connectors 2-3	Connect to the USB local peripheral devices (for example, a USB camera, a soundbar, a microphone and so on). When the USB Host PC is disconnected, the USB charging power for this port continues to be active.
12		
13	IR 3.5mm Mini Jack Connector	Bidirectional IR connection. Outputs a received IR signal (from the HDBT transmitter) to connected IR emitter or transmits an IR signal (from IR sensor) to the HDBT transmitter.
14	RS-232 3-pin Terminal Block	Bidirectional RS-232 connection. Outputs a signal received from a controller device (for example, SL-240C) to control a remote device via serial connection (for example, the remotely connected PTZ USB camera).
15	1G LAN RJ-45 Connector	Connect to LAN for Ethernet extension to the transmitter.
16	SETUP 4-way DIP-switch	Sets the device behavior (see <a href="#">Step 4: Connect inputs and outputs</a> ).
17	48V DC	Connect to the power supply.

## Step 3: Mount EXT3-POE-XR-R

Install **EXT3-POE-XR-R** using one of the following methods:

- Attach the rubber feet and place the unit on a flat surface.
- Fasten a bracket (included) on each side of the unit and attach it to a flat surface (see [www.kramerav.com/downloads/EXT3-POE-XR-R](http://www.kramerav.com/downloads/EXT3-POE-XR-R)).
- Mount the unit in a rack using the recommended rack adapter (see [www.kramerav.com/product/EXT3-POE-XR-R](http://www.kramerav.com/product/EXT3-POE-XR-R)).

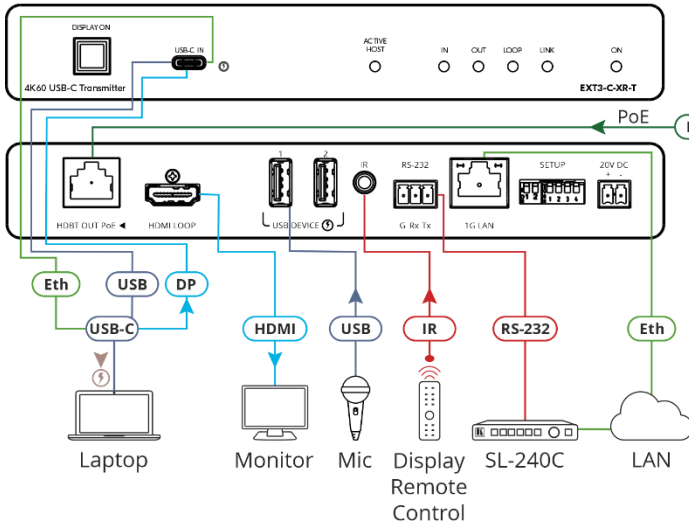


- Ensure that the environment (e.g., maximum ambient temperature & air flow) is compatible for the device.
- Avoid uneven mechanical loading.
- Appropriate consideration of equipment nameplate ratings should be used for avoiding overloading of the circuits.
- Reliable earthing of rack-mounted equipment should be maintained.
- Maximum mounting height for the device is 2 meters.

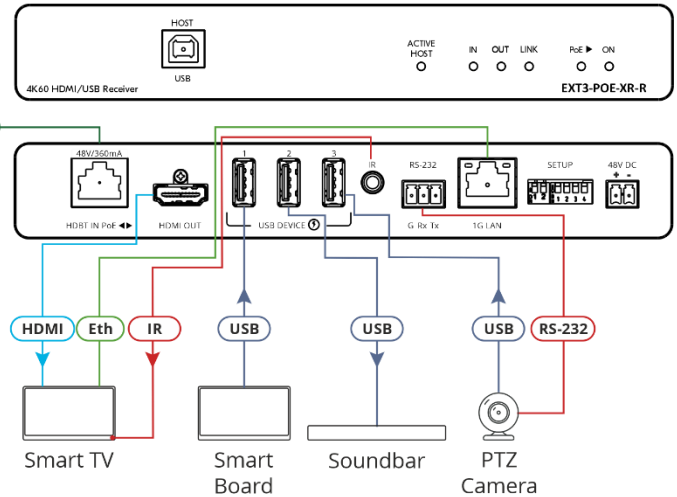
## Step 4: Connect inputs and outputs

Always switch OFF the power on each device before connecting it to your **EXT3-POE-XR-R**.

Transmitter Side



Receiver Side



### Wiring the RJ-45 Connectors

This section defines the HDBT pinout, using a STRAIGHT pin-to-pin cable with RJ-45 connectors.

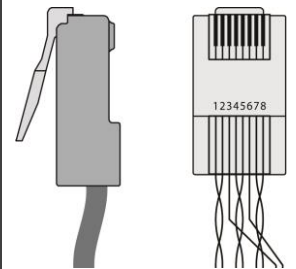


It is recommended that the cable ground shielding be connected/soldered to the connector shield.




To achieve specified extension distances, use the recommended Kramer cables available at [www.kramerav.com/product/EXT3-POE-XR-R](http://www.kramerav.com/product/EXT3-POE-XR-R). Using third-party cables may cause damage!

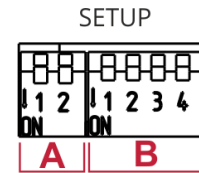
EIA / TIA 568B	
PIN	Wire Color
1	Orange / White
2	Orange
3	Green / White
4	Blue
5	Blue / White
6	Green
7	Brown / White
8	Brown



## DIP-Switch Settings

The DIP-switches are used to set the HDBT range, upgrade the firmware, Determine IR signal pass-through.

 All the DIP-switches are set to **OFF** (up) by default.



### A – DIP-switch Settings

DIP #	Feature	DIP-1A	DIP-2A	State Description
1A, 2A	HDBT Range Mode	Off	Off	Standard range mode.
		Off	On	Ultra-long range mode.
		On	Off	TBD
		On	On	TBD

### B – DIP-switch Settings

Changes to DIP-switches 2B and 3B only take effect after power cycling the device.

DIP #	Feature	DIP-switch Settings
1B	TBD	
2B	Active USB Host	Off (default) – The device is configured as the host for connected USB devices.
		On – USB are configured as slaves to the remote connection.
3B	IR Modulation	Off (default) – IR pass-thru is enabled.
		On – IR pass-thru is disabled (add a 38KHz modulation to the IR output signal).
4B	RS-232 operation Mode	Off (default) – RS-232 FW programming is inactive (Normal operation mode is enabled).
		On – RS-232 FW programming is active.

## Step 5: Connect power

Connect the power adaptor to the **EXT3-POE-XR-R** and the power cord and plug it into the mains electricity. Alternatively, receive PoE via HDBT.



Safety Instructions (See [www.kramerav.com](http://www.kramerav.com) for updated safety information)

#### Caution:

- There are no operator serviceable parts inside the unit.

#### Warning:

- Use only the power cord that is supplied with the unit.
- Disconnect the power and unplug the unit from the wall before installing.

The terms HDMI, HDMI High-Definition Multimedia Interface, and the HDMI Logo are trademarks or registered trademarks of HDMI Licensing Administrator, Inc.

